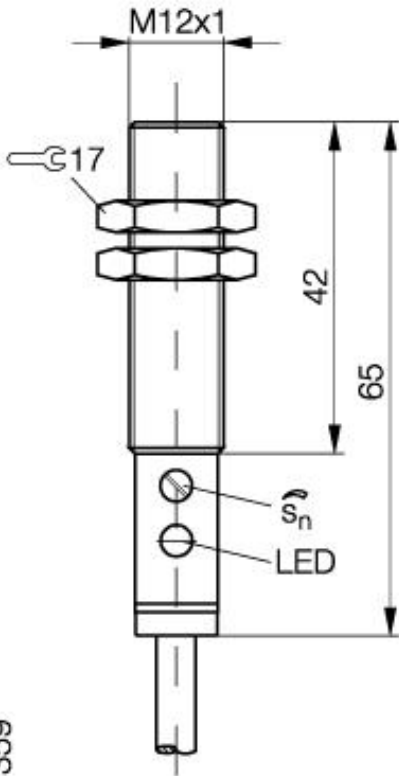


**Photoelectric Sensor**  
**BOS 12M-PO-1QA-BO-C-03**  
**Sn=1500mm**  
**Retroreflective**



PX1359

**Common Data**

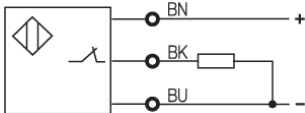
|                                     |                     |
|-------------------------------------|---------------------|
| Series                              | 12M                 |
| Sensortype                          | Retroreflective     |
| Switching frequency                 | 200 Hz              |
| Rated operating distance Sn in mm   | 1500                |
| assured operating distance Sa       | adjustable          |
| Repeat accuracy                     | < 5% from Sn        |
| Hysteresis                          | 1...30%             |
| Indication Switching element on     | yes                 |
| Ambient temperature                 | -5...+55°C          |
| On-delay                            | < 2,5ms             |
| Off-delay                           | < 5ms               |
| Light                               | polarized red light |
| Sensitivity Adjustment              | Poti                |
| Blind zone / min Reflector distance | 1mm                 |
| Permissible ambient light           | 5000 Lux            |
| Output function                     | light-on            |

**Mechanical Data**

|                          |                            |
|--------------------------|----------------------------|
| Measurements             | M12x1x65                   |
| Shock                    | Halfsinus, 30gn, 11ms      |
| Vibration                | 55Hz, 1mm Amplitude, 3x30M |
| Housing material         | nickel plated brass        |
| Material of sensing face | PMMA                       |
| Degree of protection     | IP67                       |
| Connection               | Cable                      |
| Weigth                   | 136g with 3m Cable         |
| Type of Cable            | LiYY-0                     |

**Electrical Data**

|                                     |                 |
|-------------------------------------|-----------------|
| Current                             | DC              |
| Switching function                  | normally-closed |
| Output                              | PNP             |
| Rated operational current Ie        | 200mA           |
| Supply Voltage                      | 10...30V DC     |
| Ripple                              | < 15% from UB   |
| Frequency of Supply Voltage         | DC              |
| No-load supply current              | <20mA           |
| Voltage drop                        | <2,5V           |
| Short protection                    | yes             |
| Protected against polarity reversal | yes             |
| Rated insulation voltage            | 75V             |
| Output resistance                   | 33kOhm          |
| max. Load capacity                  | ≤0,5μF          |



Utilization categories  
 Insulation class

DC 13  
 I

Datasheet number:

Definitions see general catalog.  
 If not otherwise noted, ratings according to  
 IEC 60947-5-2 (DIN EN60947-5-2)

Balluff GmbH  
 Schurwaldstrasse 9  
 73765 Neuhausen a.d.F.  
 Phone (07158) 173-0 Fax (07158) 5010

Datenblatt by CD-ROM - 04/2007

**BALLUFF**  
 sensors worldwide